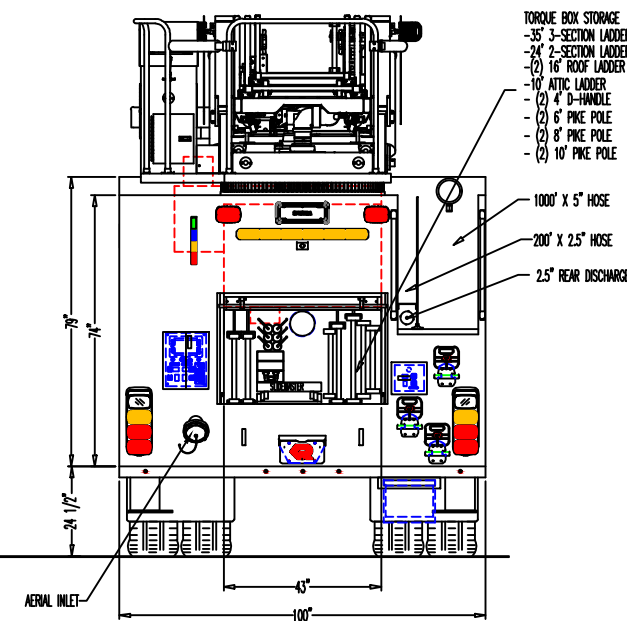
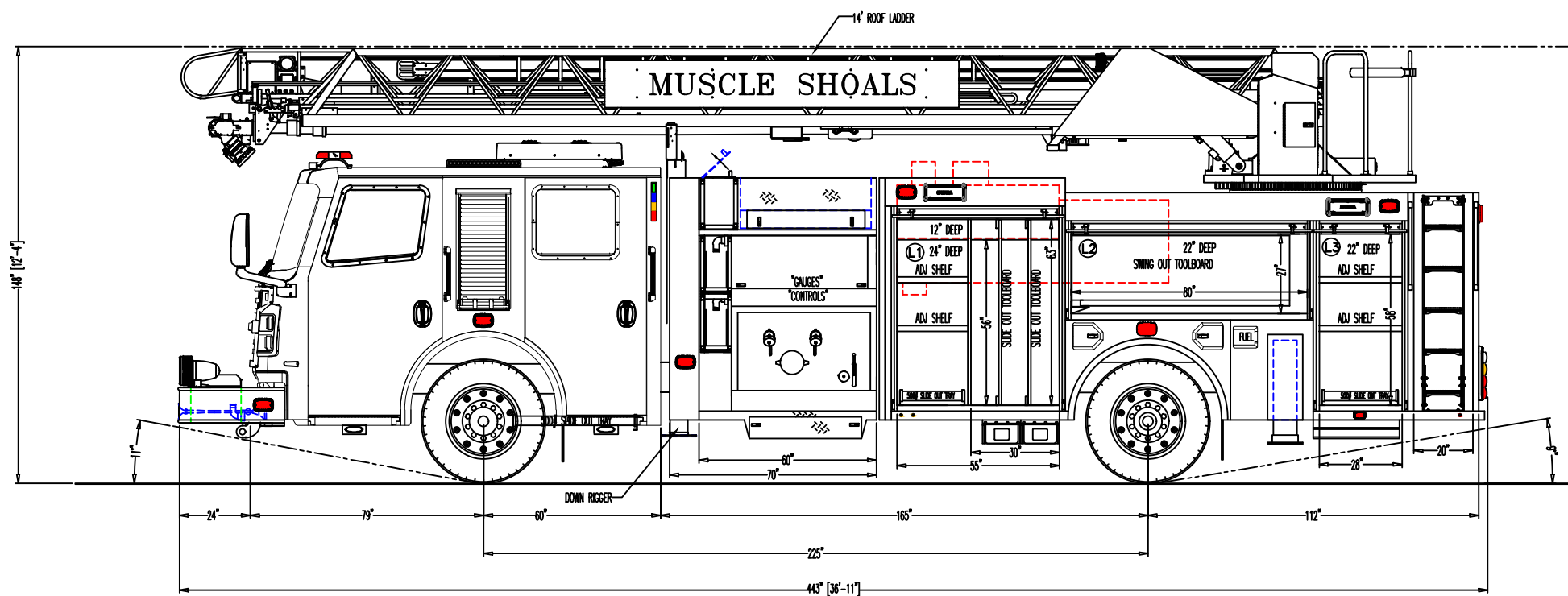


Lehi UT Style front bumper with the 2-1/2 on the officer side and Q siren pedestal mounted on driver

Center drop down door
False floor with 100' of 1-3/4
5' raised lid discharge
moved to under the false floor



- NOTES:
- OVERALL HEIGHT IS IN LOADED CONDITION. UNLOADED HEIGHTS MAY BE 4" ABOVE HEIGHTS SHOWN.
 - DO NOT SCALE DRAWING.
 - ALL DIMENSIONS ARE APPROXIMATE AND SUBJECT TO ENGINEERING CHANGES.
 - DRAWING MAY OR MAY NOT SHOW ALL ITEMS AS DESCRIBED IN THE WRITTEN DETAIL SPECIFICATIONS.
 - INCLUSION OF AN ITEM ON THE DRAWING DOES NOT CONSTITUTE INCLUSION OF THAT ITEM WITH THE FINAL DELIVERED UNIT.

REVISED: -	DATE: -
REVISED: -	DATE: -
REVISED: CHL	DATE: 06-01-2022 (R-03)
DRAWN: ATG	DATE: 02-23-2022 (P8389-01)

PROPRIETARY AND CONFIDENTIAL
THE INFORMATION CONTAINED IN THIS DRAWING IS THE SOLE PROPERTY OF ROSENBAUER. ANY REPRODUCTION IN PART OR AS A WHOLE WITHOUT THE WRITTEN PERMISSION OF ROSENBAUER IS PROHIBITED.

APPROVED BY:

MAXIMUM HEIGHT	-
MAXIMUM LENGTH	-
BODY WIDTH	100"

CHASSIS: COMMANDER R6000
PUMP: HALE QMAX 2000 GPM
TANK: POLY 500 / 20 B FOAM
TYPE: AERIAL
AERIAL: 78' VIPER

MUSCLE SHOALS



ROSENBAUER EXT

JOB NUMBER	DRAWING NUMBER	REV
75558	P8387	03